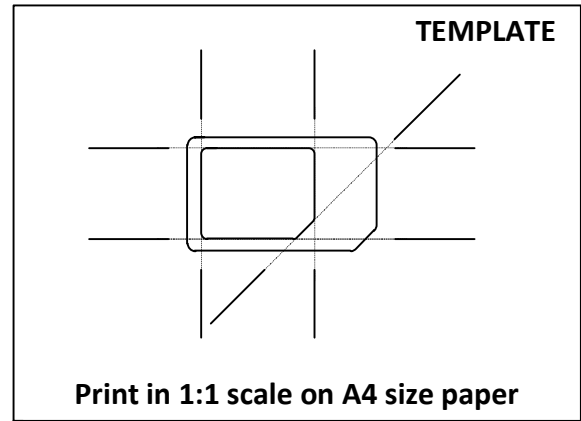
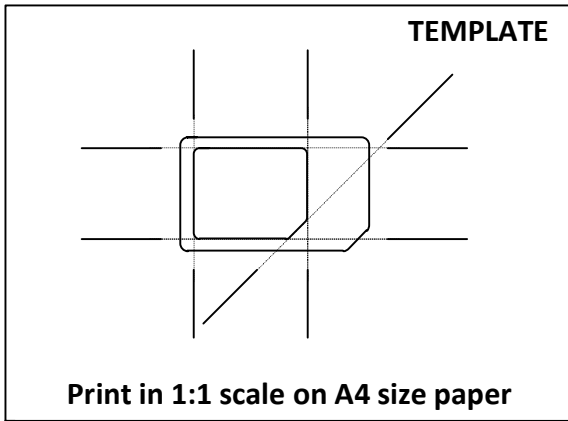
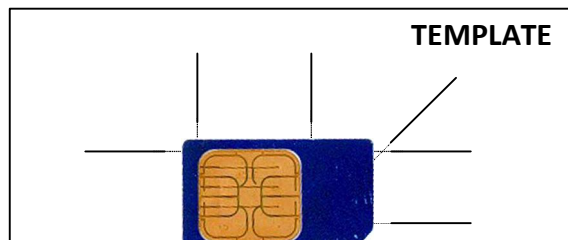


# How to make Micro-SIM from usual SIM card



\* above templates are drawn strictly following ETSI specification

\*\* the author takes no responsibility for any damage of your SIM card, mobile phone, iPad or any other equipment



## INSTRUCTIONS How-to use template



1. Print this page in 1:1 scale on A4 size paper.
2. Fix your SIM card on top of template with double-sided tape or with glue.
3. Align ruler over SIM card with bold guide lines and draw cut lines on SIM card.
4. Cut SIM card by drawn lines using sharp knife or scissors.
5. Use small file to smoothen corners of your new micro-SIM card.

## How to convert back SIM card from Micro-SIM



Simply buy micro-SIM adapter from our web-site at <http://www.buy-microsim.com>, and insert your new micro SIM card into adapter.

Our adapters are genuine, made of fine quality plastic, and strictly follow ETSI specifications. We provide FREE worldwide shipping, fast service, and the cheapest prices among others suppliers.